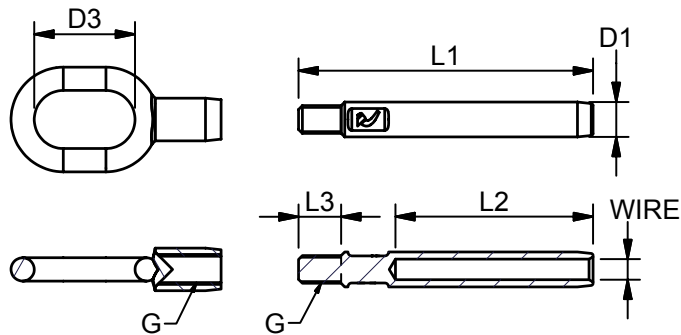


GUARD RAIL FITTINGS - ROPE TERMINALS

High Polished Stainless Steel - AISI 316

ART. NO.	WIRE	THREAD G	L1	L2	L3	D1	D3	BL/KG	KG/100	PACK
650003	3,0 1/8"	5/16"	60	38	10	6,35	26	1300	3,9	20
650004	4,0 5/32"	5/16"	68	45	11	7,5	26	1700	4,2	20
650005	5,0 3/16"	5/16"	76	51	11	9,0	26	2200	4,9	20

The user is responsible for choosing the proper cable diameter and for correct assembly.

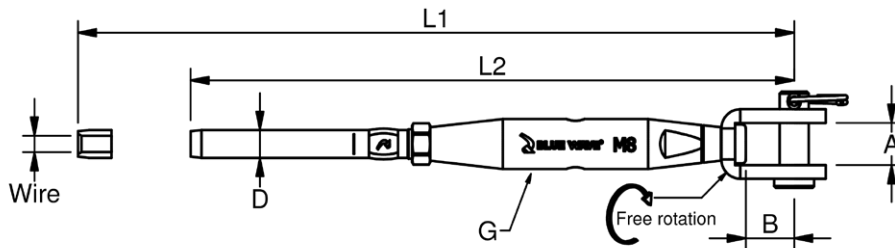


GUARD RAIL RIGGING SCREW

High Polished Stainless Steel - AISI 316

Features a swivel for one side adjustment

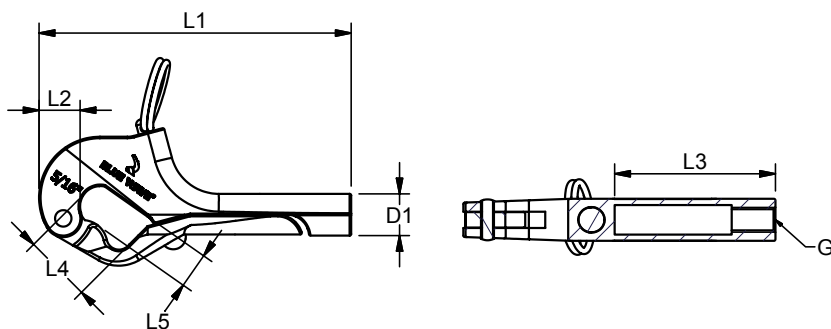
ART. NO.	THREAD	Wire	Pin	A	B	D	L1	L2	BL/KG	KG/100	PACK
120408R	8	4	8	11	13,5	7,5	206	166	1450	12,5	10
120508R	8	5	8	11	13,5	9	214	174	2050	13,4	10
120608R	8	6	8	11	13,5	9	214	174	1520	13	10



GATE-HOOK

High Polished Stainless Steel - AISI 316

ART. NO.	THREAD SIZE	THREAD	D1	L1	L2	L3	L4	L5	BL/KG	KG/100	PACK	PCS
450006	M6	RIGHT	10,8	75	9	37	16	9	700	4,25	BULK	
450006A	1/4"	LEFT	10,8	75	9	37	16	9	700	4,25	BULK	
450008	M8	RIGHT	13,3	100	12,2	50	21	12	1500	12,6	BULK	
450008A	5/16"	LEFT	13,3	100	12,2	50	21	12	1500	12,6	BULK	



This top of the line Gate-Hook, is based on the "over the center" principal. The load is carried on the body, not on the hook, for greater safety and ease of operations.